

Drawing Number: FI1119-A

INCH [mm] R.O.= Rated Output

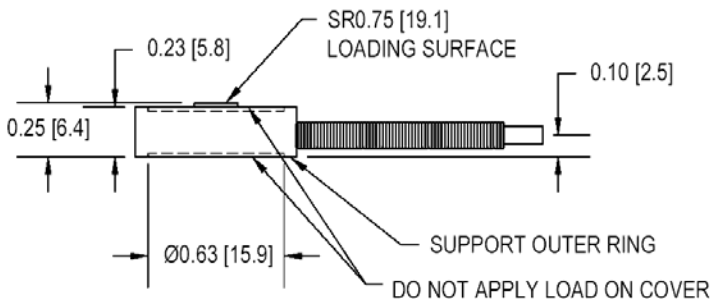
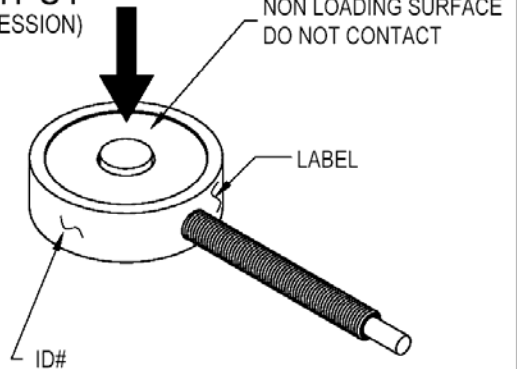
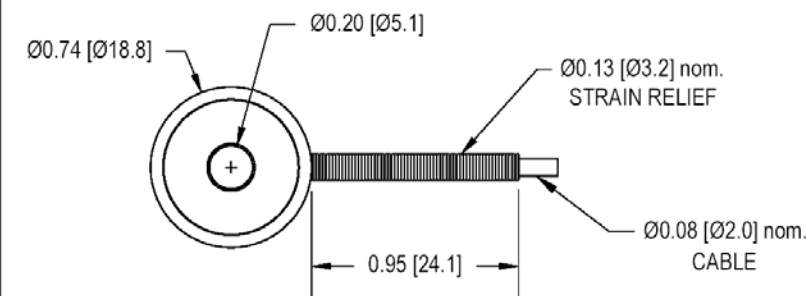
WIRING CODE (WC1)

+Excitation	-Excitation	+Signal	-Signal
RED	BLACK	GREEN	WHITE

SHIELD
FLOATING

+ OUTPUT
(COMPRESSION)

NON LOADING SURFACE
DO NOT CONTACT



STK#	CAPACITY	
	lb	N
FSH01045	10	44.5
FSH01046	25	111
FSH01047	50	222
FSH01048	100	445
FSH01050	250	1112
FSH01052	500	2224
FSH01053	1000	4448

SPECIFICATIONS:

RATED OUTPUT	2 mV/V nom.
SAFE OVERLOAD	150% of R.O.
ZERO BALANCE	±3% R.O.
EXCITATION (VDC OR VAC)	18 MAX
BRIDGE RESISTANCE	700 Ω nom.
NONLINEARITY	±0.5% of R.O. } IMPROVED ACCURACY
HYSTERESIS	±0.5% of R.O. } AVAILABLE CONTACT
NONREPEATABILITY	±0.1% of R.O. } FACTORY
TEMP. SHIFT ZERO	±0.01% of R.O./°F [0.018% of R.O./°C]
TEMP. SHIFT SPAN	±0.02% of LOAD/°F [0.036% of LOAD/°C]
COMPENSATED TEMP.	60 to 250°F [15 to 121°C]
OPERATING TEMP.	-60 to 250°F [-50 to 121°C]
WEIGHT	1.5 oz [43 g]
MATERIAL	17-4PH S.S.
DEFLECTION	0.002 [0.05] nom.
CABLE: #29 AWG, 4 Conductor, Spiral Shielded Teflon Cable 10 ft [3m] Long	
ACCESSORIES AND RELATED INSTRUMENTS AVAILABLE	
CALIBRATION (STD)	5 pt. COMPRESSION; 100K Ω SHUNT CAL. VALUE
CALIBRATION TEST EXCITATION	10 VDC