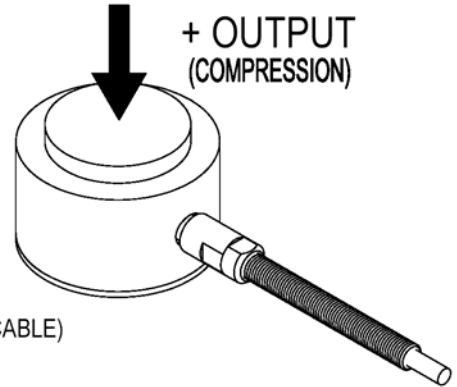
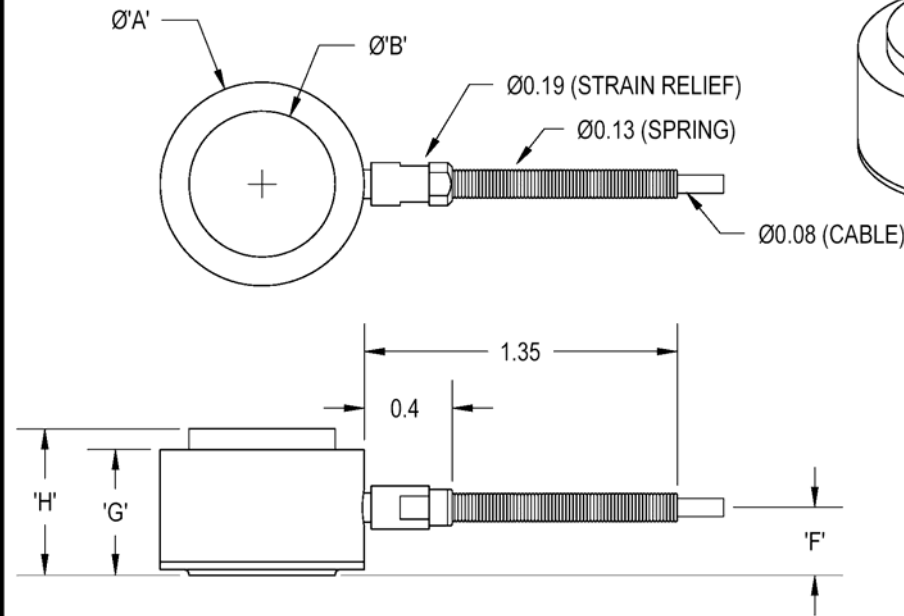


REPLACEMENT FOR SENSOTEC MODEL LFH-71

INCH (mm)		R.O.= Rated Output	
WIRING CODE (WC 1)			
+Excitation	-Excitation	+Signal	-Signal
RED	BLACK	GREEN	WHITE



CAPACITY (lb)	$\varnothing A$	$\varnothing B$	F	G	H
4000	0.63	0.49	0.13	0.23	0.60
5000	0.63	0.53	0.13	0.23	0.60
7500	0.88	0.63	0.29	0.54	0.63
10000	0.88	0.63	0.29	0.54	0.63

SPECIFICATIONS:

RATED OUTPUT	2 mV/V nom.
SAFE OVERLOAD	150% of R.O.
ZERO BALANCE	$\pm 3\%$ of R.O.
EXCITATION (VDC OR VAC)	18 MAX
BRIDGE RESISTANCE	700 Ω nom
NONLINEARITY	$\pm 1\%$ of R.O.
HYSTERESIS	$\pm 1\%$ of R.O.
NONREPEATABILITY	$\pm 0.5\%$ of R.O.
TEMP. SHIFT ZERO	$\pm 0.01\%$ of R.O./ $^{\circ}F$
TEMP. SHIFT SPAN	$\pm 0.01\%$ of LOAD/ $^{\circ}F$
COMPENSATED TEMP.	60 to 160 $^{\circ}F$
OPERATING TEMP.	-40 to 200 $^{\circ}F$
MATERIAL	STAINLESS STEEL
CABLE: #29 AWG, 4 Conductor Braided Shield Teflon Cable, 10 ft Long	

NOTES:

- 1) 4000 and 5000 lb use just a spring as strain relief

STANDARD NOTES: (Unless Otherwise Specified)

- ALL DIMENSIONS ARE IN INCHES
- DRAWING INTERPRETATION DIMS. PER ASME-Y14.5M
- REMOVE BURRS AND BREAK SHARP EDGES .005 - .015
- THREADS PER HANDBOOK H-28
- DIMENSIONS ARE SHOWN AFTER PLATING

ANGLE:
 $\pm 1/2^{\circ}$

CHAMFER:
 $\pm 5^{\circ}$

TOLERANCE:
.XX ± 0.1
.XXX ± 0.05

3rd ANGLE PROJ.

