

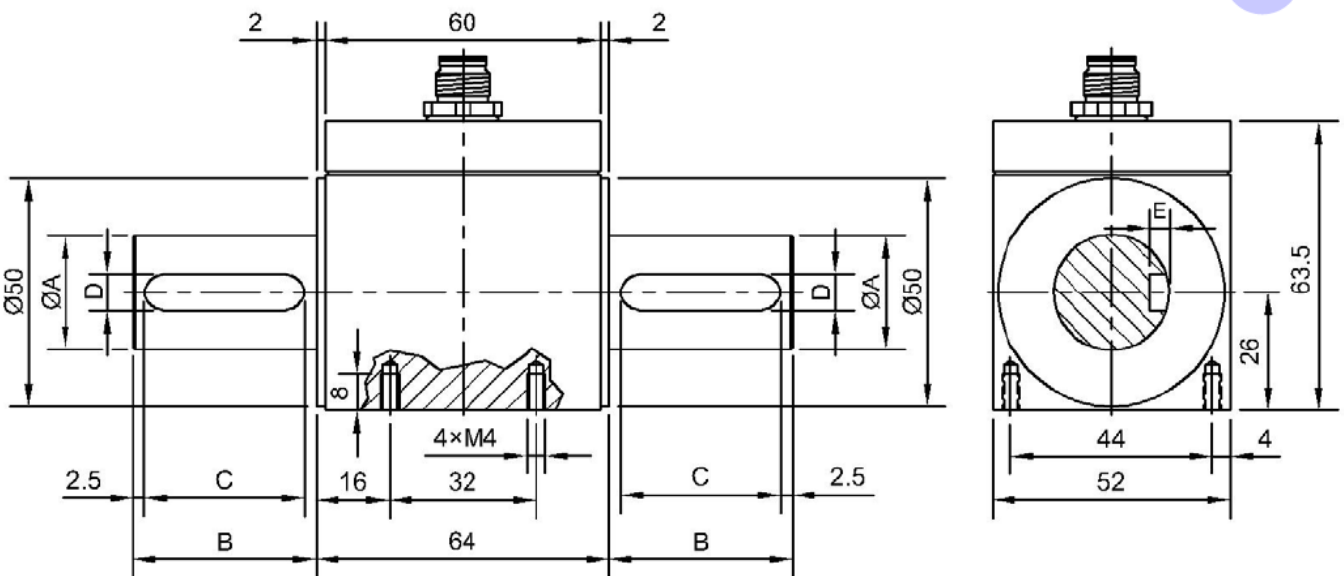
SM5000-U

ROTATIVE TORQUE METER – OUTPUT  $\pm 10Vdc$

- *Low Cost*
- *Output:  $\pm 10Vdc$*
- *Nominal Speed: 4000 rpm*
- *Contact transmission*
- *Square coupling (optional)*



**Dimensions [mm]**



TORQUE	Ø A	B	C	D	E	
5 Nm	16 h6	30	25	5	3	Keyslot UNI 6604 form A 5x5
10 Nm						
25 Nm						
50 Nm	25 h6	40	35	8	4	Keyslot UNI 6604 form A 8x7
100 Nm						
250 Nm						
500 Nm						

**SENSEL MEASUREMENT**

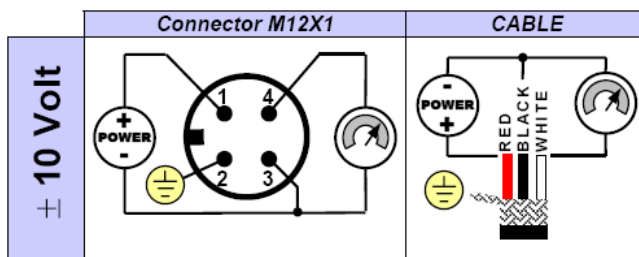
41, rue des laitières – 94300 VINCENNES - FRANCE

Tél. : 01 46 37 17 92 - [www.sensel-measurement.com](http://www.sensel-measurement.com) - [contact@sensel-measurement.com](mailto:contact@sensel-measurement.com)

S.A.R.L au capital de 7500 Euros - SIRET 502 277 908 00013 - APE 7490 - N° TVA : FR40502277908

**Technical Data**

TYPE	SM50		SM50U
NOMINAL TORQUE	25 Nm	50 Nm 100 Nm 250 Nm 500 Nm	5 - 10 Nm 25 - 50 Nm 100 - 250 - 500 Nm
LINEARITY and HYSTERESIS	≤ ± 0.2 %		
TEMPERATURE EFFECT (1°C):			
a) on zero	≤ ± 0.02%		
b) on sensitivity	≤ ± 0.02%		
NOMINAL SENSITIVITY	1mV/V	2mV/V	± 10V
SENSITIVITY TOLERANCE	≤ ± 0.2%	≤ ± 0.2%	≤ ± 0.2%
NOMINAL POWER SUPPLY	1-15V		
MAX. POWER SUPPLY	18V		
INPUT RESISTANCE	440 ± 20Ω		
OUTPUT RESISTANCE	350 ± 5Ω		
NOMINAL POWER SUPPLY			15-24V
MAX. POWER SUPPLY			28V
MAX. ABSORPTION			30mA
LOADING RESISTANCE			min. 3KΩ
RESPONSE FREQUENCY			from 1 to 5kHz
INSULATION RESISTANCE	>2 GΩ		
ZERO BALANCE	≤ ± 0.5%		
LIMIT MECHANICAL VALUES			
a) service torque	100%		
b) max. permissible torque	150%		
c) breaking torque	>300%		
d) highly dynamic torque	70%		
e) nominal speed	4000 rpm		
REFERENCE TEMPERATURE	+23°C		
WORKING TEMPERATURE RANGE	-10/+70°C		
STORAGE TEMPERATURE RANGE	-20/+80°C		
PROTECTION CLASS (EN60529)	IP40		
SENSOR EXECUTION MATERIAL	Acciaio Inox / Stainless Steel		
CASE EXECUTION MATERIAL	Alluminio / Aluminium		
ELECTRICAL CONNECTION	Connection: <b>M12X1</b>		
PROCESS COUPLING	● (Cylindrical)		
PROCESS COUPLING (UNI ISO 1174-1):			
5 - 10 Nm	■ 1/4"		
25 - 50 Nm	■ 3/8"		
100 - 250 - 500 Nm	■ 1/2"		



Connected to body of the torque transducer

**SENSEL MEASUREMENT**

41, rue des laitières – 94300 VINCENNES - FRANCE

Tél. : 01 46 37 17 92 - [www.sensel-measurement.com](http://www.sensel-measurement.com) - [contact@sensel-measurement.com](mailto:contact@sensel-measurement.com)

S.A.R.L au capital de 7500 Euros - SIRET 502 277 908 00013 - APE 7490 - N° TVA : FR40502277908