

**4158M**

**Heavy Duty Silo Mount for Use With 4158 Load Cell**



**FEATURES**

- Capacities upto 75klb
- Use on tanks or silos
- All steel construction
- Low profile
- Simple installation

**DESCRIPTION**

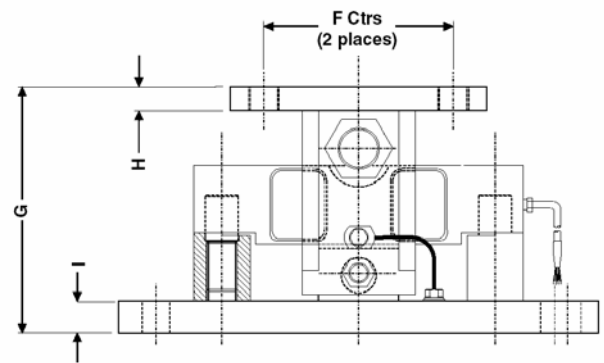
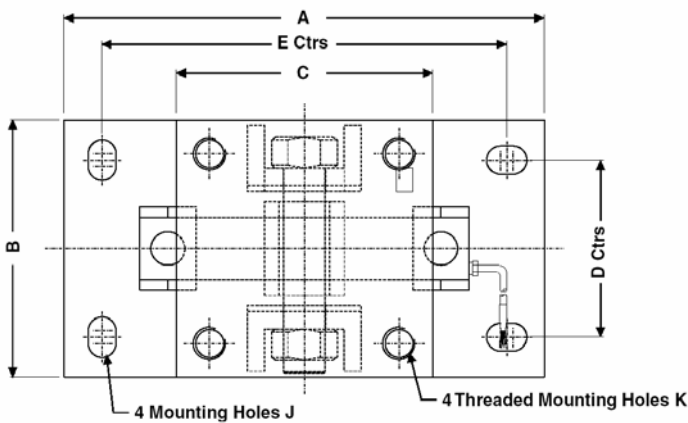
The 4158 silo mount is suitable for the support of tanks and silos, making it ideal for indoor or outdoor process control applications.

It is designed to support a uniformly distributed load and will allow tilt in any direction up to a maximum of  $\pm 3^\circ$ .

It forms a compact assembly which is rugged and tolerant of heavy industrial environments. Heavy gauge steel plate provides a rigid, robust load cell mount for high accuracy and prolonged life.

It incorporates lift-off protection and allows for thermal expansion of the weighing vessel.

**OUTLINE DIMENSIONS** in millimeters



This mount is designed for a uniformly distributed load on the top and bottom surfaces

Each comprises base plate assy, top plate assy, loading pin & support, bottom pin, mounting posts, retaining clips, earth strap with bolts & washers.

CAPACITY	A	B	C	D	E	F	G	H	I	J	K
10 - 25klb	240	180	180	130	190	190	142	12.7	19	Ø18x28	M20
40klb	380	203	203	140	320	150	195	19	25	Ø22x32	M24
50 - 75klb	380	203	203	140	320	150	210	19	25	Ø22x32	M24