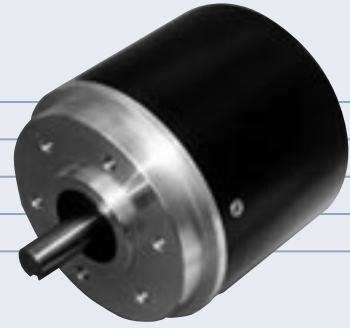


IS 900

INCREMENTAL SHAFT ENCODER

Heavy Duty Construction
 IP65 Protection (Optional IP 66)
 25000 PPR Maximum
 4.75 to 30 Volts, RS 422 Compatible
 300 kHz Maximum Frequency



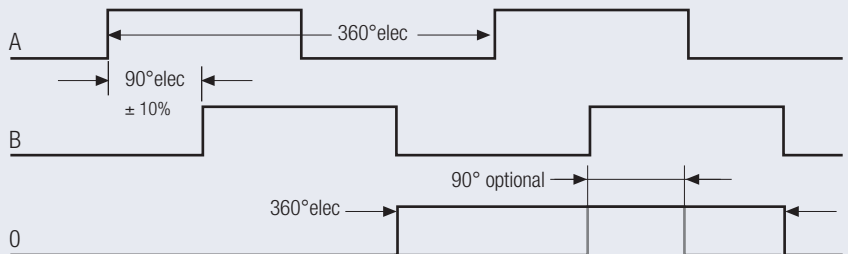
ELECTRICAL SPECIFICATIONS

Supply Voltage	4.75-30 V DC
Current Consumption	40 mA (max)
Output Circuit	Push-Pull, RS 422A
Impulse Frequency	300 kHz (max)
Logic Level (high)	Vcc - 0.7 Volt
Logic Level (low)	0.25 Volt (max)
Short Circuit Protection	100 %

MECHANICAL SPECIFICATIONS

Cover	Steel
Body	Aluminium
Shaft	Stainless Steel
Speed	6000 RPM (max)
Torque	> 0.1 Nm
Loading	Axial 60 N, Radial 50 N
Protection	IP 65
Temperature	-20°...+70° C (-4°...+158° F) +100° C (+212° F) Optional
Weight	1.870 lb (850 g)

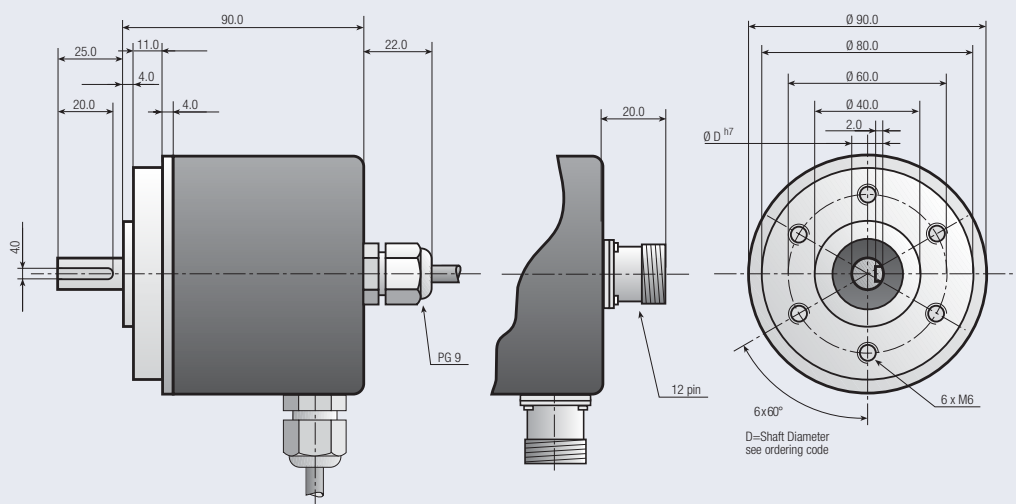
OUTPUT SIGNALS



A Leads B in the CW Direction (facing shaft)
 Complimentary channel also available

Optional Gated Marker Pulse
 Gated with A+B Shown

Drawing available as:
dxf, iges, step, sld file



ORDERING CODE

IS 900 - -

a b c d e f g h Pulses Per Revolution

a Group Function
IS=Incremental Solid Shaft

b Basic Series Number
900

c Shaft Size D
06=6 mm
12=12 mm

d Mechanical Options
0=None

e Connector Type
0=2 mtr. (6ft.) Cable
7=12 Pin

f Connector Location
A=Axial
R=Radial

g Output Signals
3=A+B+0
6=A+B+0+Compliments

h Output Circuit Type
3=Push Pull 4.75 to 30 VDC

Note: Special functions and designs will be designated by a 4 digit code at the end of the part number. Consult factory for further details

CONNECTIONS

Function	Cable Colour Code	12 Pin Connector
0 Volt	white	1
+ Volt	brown	2
A	green	3
B	yellow	4
0	grey	5
\bar{A}	pink	6
\bar{B}	blue	7
$\bar{0}$	red	8