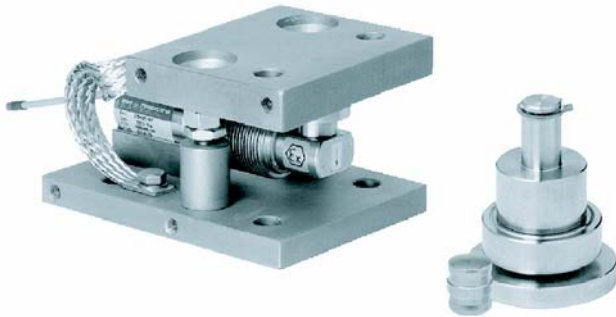


9102 M

SELF ALIGNING MOUNTS



FEATURES

- Capacities: 200 - 2500lbs
- Hardened components at all bearing surfaces
- Rocker pin load introduction
- Built in horizontal movement control and lift-off protection
- Load cell (re)placement after installation of the mount

OPTIONAL FEATURES

- Stainless steel or Nickel plated steel versions available
- Optional stay rod assembly

DESCRIPTION

The 9102 self aligning silo mount, combined with the 9102 load cell family, provides high accuracy weighing assemblies suitable for process control, batch weighing, silo/hopper and belt scale applications.

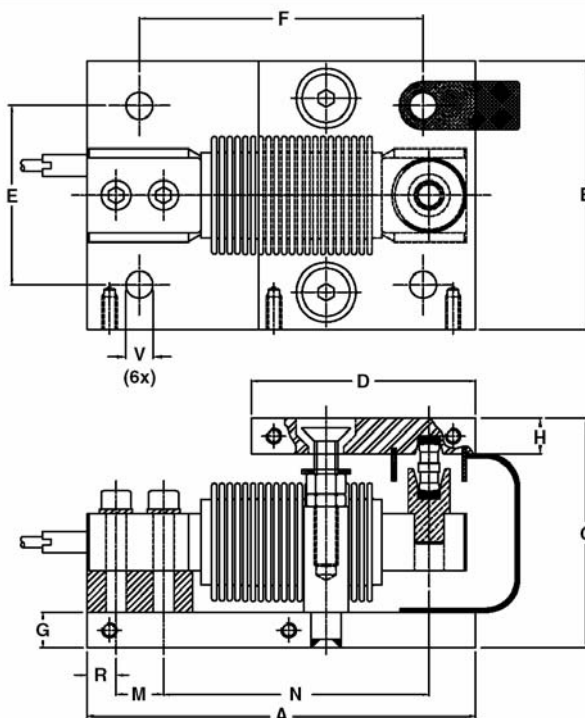
The 9102 foot assembly is an ideal solution for medium capacity belt, pallet and platform scales.

The 9102 mount and foot are based on a rocker pin design, combining excellent load introduction to the transducer with an overall low profile. Hardened components are used at all load bearing surfaces. The stainless steel construction guarantees long term reliability, even in the most harsh of environments.

APPLICATIONS

- Process control
- Batch weighing
- Silo/hopper weighing
- Belt scale weighing

OUTLINE DIMENSIONS in millimeters

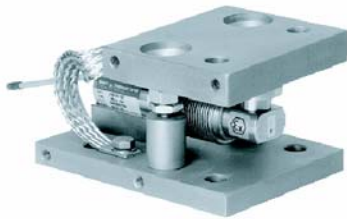


Capacity	50 - 200lbs	500 - 2500lbs
A	130	160
B	90	120
C	77	90
D	75	100
E	60	80
F	95	100
G	12	15
H	12	20
R	9.7	25.8
M	15.9	25.4
N	88.9	82.6
V	Ø9	Ø14

ACCESSORIES

Self Aligning Mount

The 9102 mount permits controlled horizontal movement in all directions. The design allows the load cell to be (re)placed after installation of the mount. The critical load introduction area is mechanically protected.



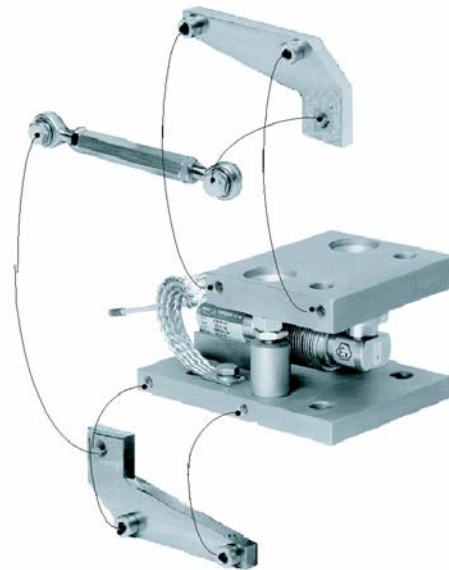
Height Adjustable Foot

The stainless steel foot, which has 5mm of height adjustment, provides excellent load introduction to the load cell. The foot allows flexibility in platform design without compromising overall system performance.



Stay Rod Assembly

If major load movement is anticipated stay rods should be used to restrain a platform or vessel. The 9102 stay rod assembly can be bolted to the mount prior to, or after its installation.



FURTHER INFORMATION		Height, LC + assembly (50 200)		Height, LC + assembly (500/1000)		Height, LC + assembly (2500)	
Self Aligning Mount	mm	77		90		90	
Height Adj. Foot	mm	64+5		74+5		74+5	
Mount / Foot		Outline drawing (50 200)		Outline drawing (500/1000)		Outline drawing (2500)	
		Stainless steel	Nickel plated	Stainless steel	Nickel plated	Stainless steel	Nickel plated
Self Aligning Mount		499049-10	499049-00	499052-10	499052-00	499053-10	499053-00
Stay Rod Assembly		499061-10	499061-00	499068-10	499068-00	499068-10	499068-00
Height Adj. Foot		499071		499072		499073	
Mount Assembly guidelines		AG 10/06-106/02		AG 10/06-107/02			
Stay Rod Assembly guidelines		AG 09/06-202/02		AG 10/06-200/02			