

65082

TANTAMOUNT WEIGH MODULE



Factory Mutual System
Approved

FEATURES

- Capacity ranges of 250 to 20,000 pounds
- Mounts directly to floor or structural support
- Integral height adjustment for easy load balancing
- Articulating mounting plate accommodates non-planar misalignments of up to 4°
- Employs 65023/65083 shear beam design load cell
- High output - well suited to high deadload/low liveload situations
- Trade certified load cells for NTEP Class III: 10000 divisions; Class III: 5000 divisions and OIML R60 3000 divisions
- *Sensorgage™* sealed to IP67 standards
- Factory Mutual System Approved for Classes I, II, III; Divisions 1 and 2; Groups A through G. Also, non-incendive ratings (No barriers!)

DESCRIPTION

The 65082 is low to mid capacity alloy steel weighing assembly.

This product simply and easily converts any industrial tank, table, or platform into a high accuracy scale. The 65082 weighing assembly is shipped pre-assembled and ready to bolt between the support legs of a platform, tank, or container and the concrete floor. The load cell is available in nickel plated construction and sealed to IP67 standards, assuring reliability in

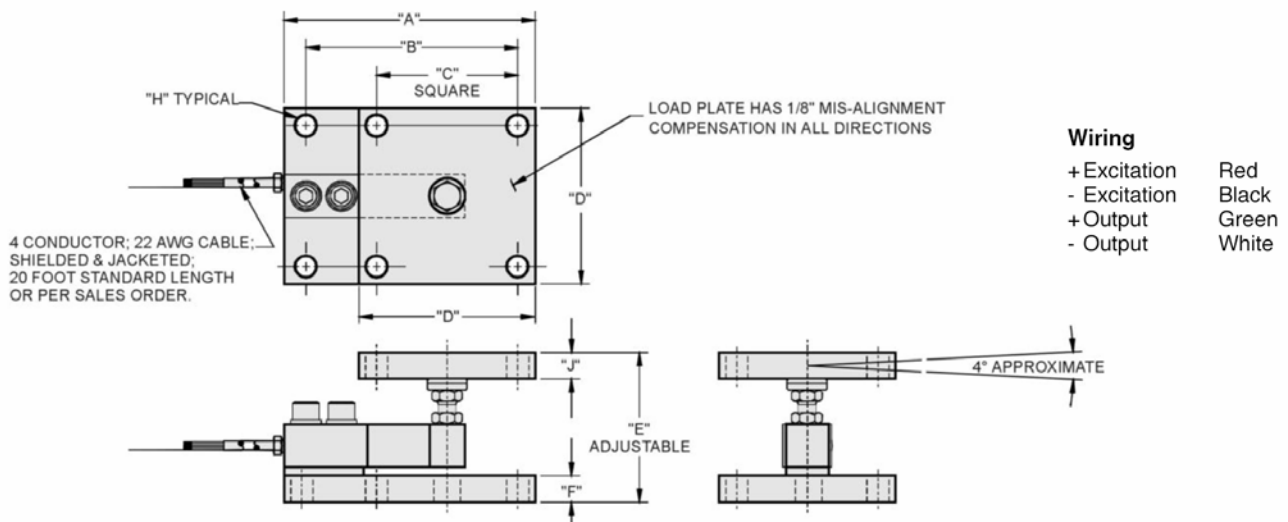
industrial and wash down applications. The assembly is available only with zinc plating for corrosion resistance.

This weighing assembly is rated intrinsically safe by the Factory Mutual System (FM); making it suitable for use in potentially explosive environments. This weighing assembly is certified for Legal For Trade applications by both American NTEP and International OIML standards.

APPLICATIONS

- Tank, bin and hopper weighing
- Batching, blending and mixing
- "Legal for Trade"

OUTLINE DIMENSIONS in inches



CAPACITY	A	B	C	D	E	F	H	J	WEIGHT
250 - 4K	7.12	6.00	4.00	5.00	4.00 - 4.50	0.70	0.63	0.70	17.0
5K - 10K	8.50	7.00	4.00	5.00	5.00 - 5.50	0.94	0.63	0.94	30.0
15K - 20K	10.88	9.13	4.50	6.00	7.00 - 7.50	1.44	0.88	1.20	47.0

Capacities are in pounds.



SPECIFICATIONS

PARAMETER	VALUE				UNIT
Rated capacity-R.C. (E_{max})	250, 500, 1K, 1.5K, 2K, 2.5K, 4K, 5K, 10K, 15K, 20K*				lbs
NTEP/OIML Accuracy class	NTEP III	NTEP IIIIL	Standard	OIML R60	
Maximum no. of intervals (n)	5000 multiple	10000 multiple		3000	
$Y = E_{max}/V_{min}$	See NTEP cert. 86-044A2			8333	Maximum available
Rated output-R.O.	3.0				mV/V
Rated output tolerance	0.25				±% mV/V
Zero balance	1.0				±% FSO
Combined error	0.02	0.02	0.03	0.02	±% FSO
Non-repeatability	0.01	0.01	0.01	0.01	±% FSO
Creep error (30 minutes)	0.025	0.03	0.03	0.017	±% FSO
Temperature effect on zero	0.0010	0.0010	0.0015	0.0010	±% FSO/°F
Temperature effect on output	0.0008	0.0008	0.0008	0.0007	±% of load/°F
Compensated temperature range	14 to 104 (-10 to 40)				°F (°C)
Operating temperature range	0 to 150 (-18 to 65)				°F (°C)
Storage temperature range	-60 to 185 (-50 to 85)				°F (°C)
Sideload rejection ratio	500:1				
Safe sideload	100				% of R.C.
Maximum safe central overload	150				% of R.C.
Ultimate central overload	300				% of R.C.
Excitation, recommended	10				Vdc or Vac rms
Excitation, maximum	15				Vdc or Vac rms
Input impedance	343 - 357				Ω
Output impedance	349 - 355				Ω
Insulation resistance at 50VDC	>1000				MΩ
Material	Nickel plated alloy tool steel				
Material assembly	Zinc plated steel				
Environmental protection	IP67				
Recommended torque	All capacities up to 10Klbs - 136.0 Over 10Klbs - 205.0				N*m

* OIML approval 1-10Klbs only

FSO - Full Scale Output